

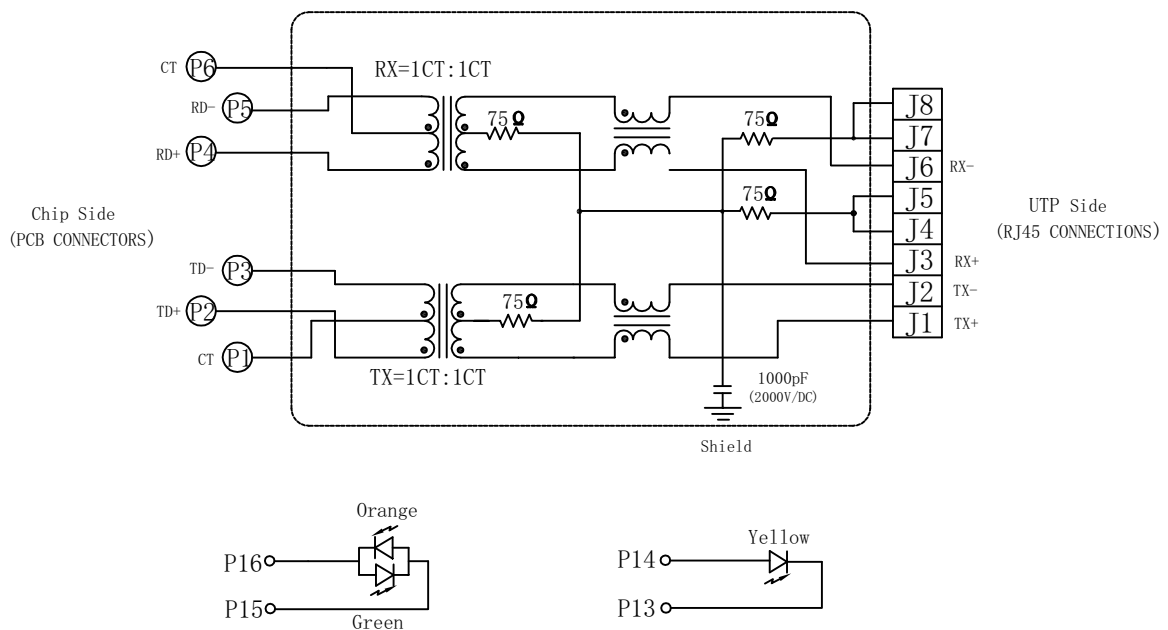
Single Port RJ45 Connector With Single USB
With 10/100 Base-T Magnetics Module

Coorle Technology

Electrical Specifications @25°C/65%RH

1. Isolation Voltage: 1500V/AC(Chip Side to UTP Side)
2. OCL:350uH Minimum @100KHz 100mV with 8mA DC
3. Insertion Loss: -1.1dB Maximum @100KHz-100MHz
4. Return Loss: -18dB Minimum @1MHz-30MHz
 -14dB Minimum @30MHz-60MHz
 -12dB Minimum @60MHz-80MHz
5. Common Mode Rejection: -40dB Minimum @1MHz-30MHz
 -35dB Minimum @30MHz-60MHz
 -30dB Minimum @60MHz-100MHz
6. Cross Talk: -40dB Minimum @1MHz-30MHz
 -35dB Minimum @30MHz-60MHz
 -30dB Minimum @60MHz-80MHz

Schematics:

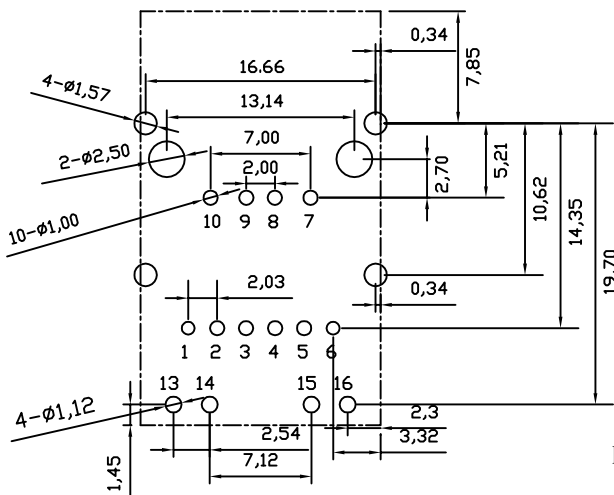
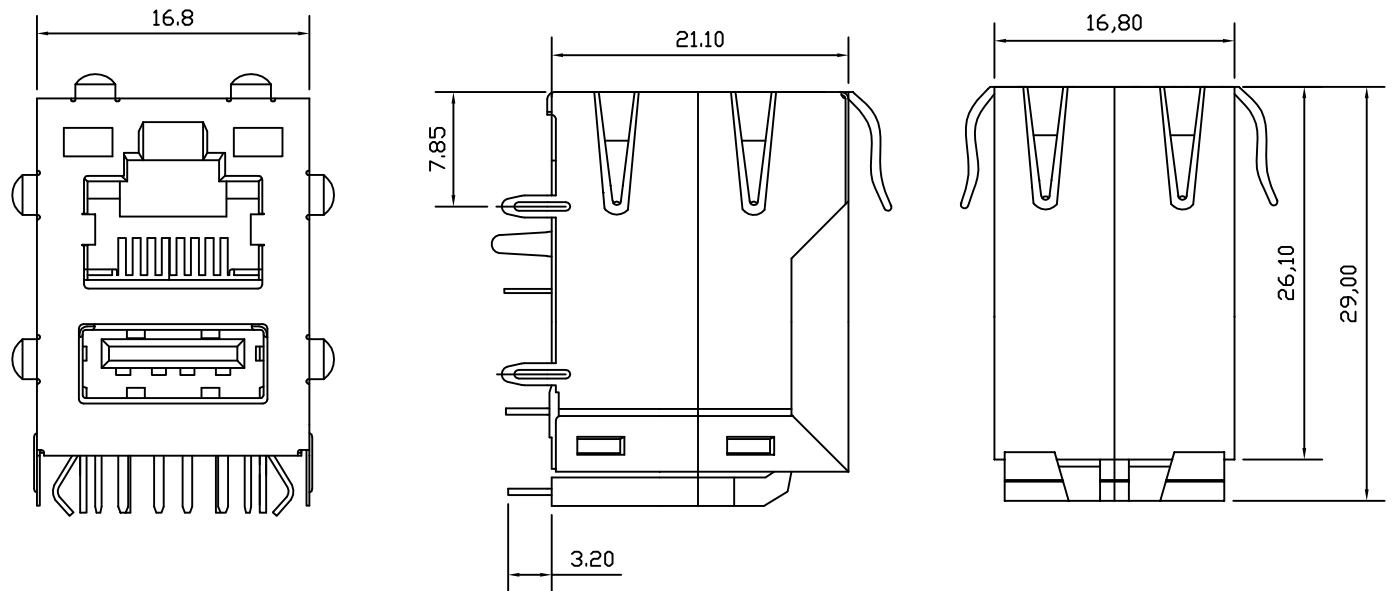


Single Port RJ45 Connector With Single USB
With 10/100 Base-T Magnetics Module

Coorle Technology

- ROHS Compliant (Pb Free)
- Meets or exceeds IEEE802.3 Standards including 350uH Min OCL with 8mADC
- High performance for EMI suppression, Crosstalk, Return Loss and Consistent Electrical
- Minimum 1500Vrms isolation per IEEE802.3 requirement
- Minimize PCB space and Simplify PCB Layout
- Less magnetic components to be placed on PCB, higher reliability and yields

Mechanical Dimensions:



P. C. B. RECOMMENDED HOLE LAYOUT SEEN FROM COMPONENT SIDE.
ALL CENTERLINE DIMENSIONS ARE BASIC

LED Specification				
Standard LED	Wavelength	Forward V (Min/Max)	Forward A	Type
Green	568nm	1.8V/2.8V	20mA	squareness
Yellow	585nm	1.8V/2.8V	20mA	squareness
Orange	600nm	1.8V/2.8V	20mA	squareness

Dimensions in mm

Unless otherwise specified, Tolerance: .XX ±0.25